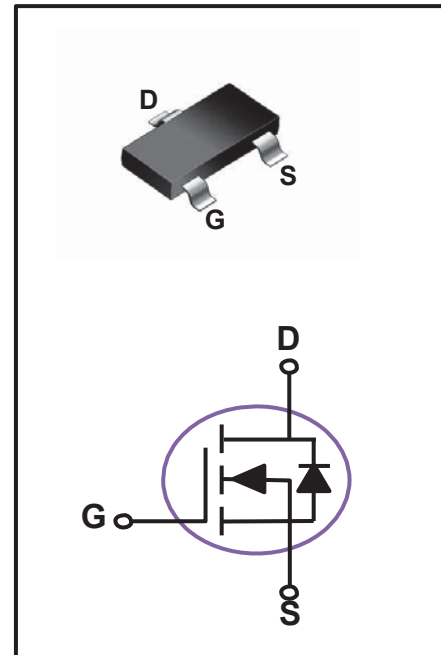


SOT23-3PinConfiguration

BVDSS	RDS(ON)	ID
60V	75mΩ	3.2A


Features

- 60V,3.2A, $R_{DS(ON)} = 75m\Omega @ V_{GS} = 10V$
- Improved dv/dt capability
- Fast switching
- 100% EAS Guaranteed
- Green Device Available

Applications

- Motor Drive
- Power Tools
- LED Lighting

MAXIMUM RATINGS AND CHARACTERISTICS

@ 25°C Ambient Temperature (unless otherwise noted)

Parameter	Symbol	Rating	Units
Drain-Source Voltage	V_{DS}	60	V
Gate-Source Voltage	V_{GS}	± 20	V
Drain Current – Continuous ($T_c=25^\circ\text{C}$)	I_D	3.2	A
Drain Current – Continuous ($T_c=100^\circ\text{C}$)		2	A
Drain Current – Pulsed ¹	I_{DM}	12.8	A
Power Dissipation ($T_c=25^\circ\text{C}$)	P_D	1.56	W
Power Dissipation – Derate above 25°C		0.012	W/°C
Storage Temperature Range	T_{STG}	-50 to 150	°C
Operating Junction Temperature Range	T_J	-50 to 150	°C

Thermal Characteristics

Parameter	Symbol	Typ.	Max.	Unit
Thermal Resistance Junction to ambient	$R_{\theta JA}$	---	80	°C/W

**MOSFETELECTRICAL CHARACTERISTICS** $T_A=25^{\circ}\text{C}$ unless otherwise specified**Off Characteristics**

Parameter	Symbol	Conditions	Min.	Typ.	Max.	Unit
Drain-Source Breakdown Voltage	BV_{DSS}	$V_{GS}=0V, I_D=250\mu A$	60	---	---	V
BV_{DSS} Temperature Coefficient	$\Delta BV_{DSS}/\Delta T_J$	Reference to 25°C , $I_D=1\text{mA}$	---	0.05	---	$\text{V}/^{\circ}\text{C}$
Drain-Source Leakage Current	I_{DSS}	$V_{DS}=60V, V_{GS}=0V, T_J=25^{\circ}\text{C}$	---	---	1	μA
		$V_{DS}=48V, V_{GS}=0V, T_J=125^{\circ}\text{C}$	---	---	10	μA
Gate-Source Leakage Current	I_{GSS}	$V_{GS}=\pm 20V, V_{DS}=0V$	---	---	± 100	nA

On Characteristics

Static Drain-Source On-Resistance	$R_{DS(ON)}$	$V_{GS}=10V, I_D=6A$	---	60	75	$\text{m}\Omega$
		$V_{GS}=4.5V, I_D=3A$	---	70	90	$\text{m}\Omega$
Gate Threshold Voltage	$V_{GS(th)}$	$V_{GS}=V_{DS}, I_D=250\mu A$	1.2	1.8	2.5	V
$V_{GS(th)}$ Temperature Coefficient	$\Delta V_{GS(th)}$		---	-5	---	$\text{mV}/^{\circ}\text{C}$
Forward Transconductance	g_{fs}	$V_{DS}=10V, I_D=3A$	---	7	---	S

Dynamic and switching Characteristics

Total Gate Charge ^{2,3}	Q_g	$V_{DS}=48V, V_{GS}=10V, I_D=6A$	---	9.3	14	nC
Gate-Source Charge ^{2,3}	Q_{gs}		---	2.1	4	
Gate-Drain Charge ^{2,3}	Q_{gd}		---	1.8	4	
Turn-On Delay Time ^{2,3}	$T_{d(on)}$	$V_{DD}=30V, V_{GS}=10V, R_G=3.3\Omega, I_D=1A$	---	2.9	6	ns
Rise Time ^{2,3}	T_r		---	9.5	18	
Turn-Off Delay Time ^{2,3}	$T_{d(off)}$		---	18.4	35	
Fall Time ^{2,3}	T_f		---	5.3	10	
Input Capacitance	C_{iss}	$V_{DS}=15V, V_{GS}=0V, F=1\text{MHz}$	---	500	725	pF
Output Capacitance	C_{oss}		---	45	65	
Reverse Transfer Capacitance	C_{rss}		---	16	30	
Gate resistance	R_g	$V_{GS}=0V, V_{DS}=0V, F=1\text{MHz}$	---	2	4	Ω

Drain-Source Diode Characteristics and Maximum Ratings

Parameter	Symbol	Conditions	Min.	Typ.	Max.	Unit
Continuous Source Current	I_S	$V_G=V_D=0V, \text{Force Current}$	---	---	3.2	A
Pulsed Source Current	I_{SM}		---	---	6.4	A
Diode Forward Voltage	V_{SD}	$V_{GS}=0V, I_S=1A, T_J=25^{\circ}\text{C}$	---	---	1	V
Reverse Recovery Time ²	t_{rr}	$V_{GS}=30V, I_S=1A, di/dt=100A/\mu\text{s}, T_J=25^{\circ}\text{C}$	---	23.2	---	ns
Reverse Recovery Charge ²	Q_{rr}		---	14.3	---	nC

Note :

1. Repetitive Rating : Pulsed width limited by maximum junction temperature.
2. The data tested by pulsed , pulse width $\leq 300\mu\text{s}$, duty cycle $\leq 2\%$.
3. Essentially independent of operating temperature.

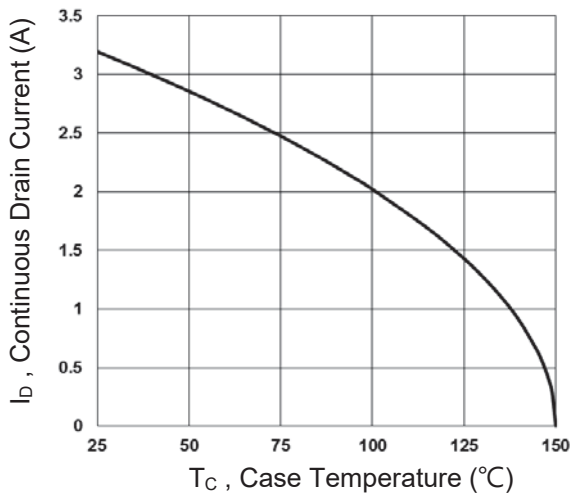


Fig.1 Continuous Drain Current vs. T_c

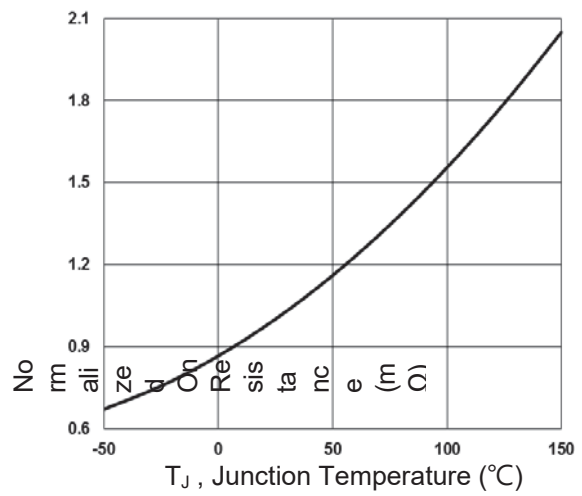


Fig.2 Normalized $R_{DS(on)}$ vs. T_j

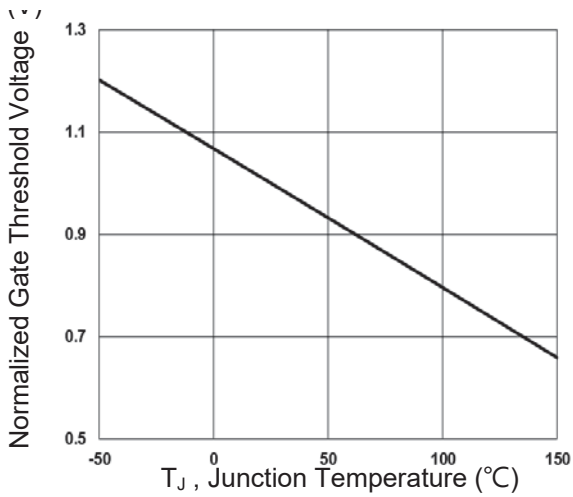


Fig.3 Normalized V_{th} vs. T_j

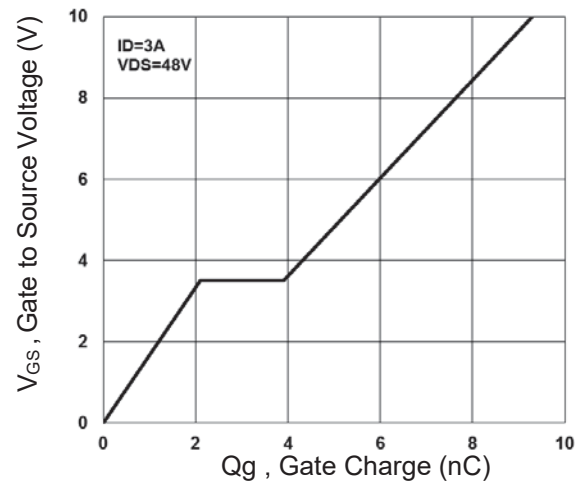


Fig.4 Gate Charge Waveform

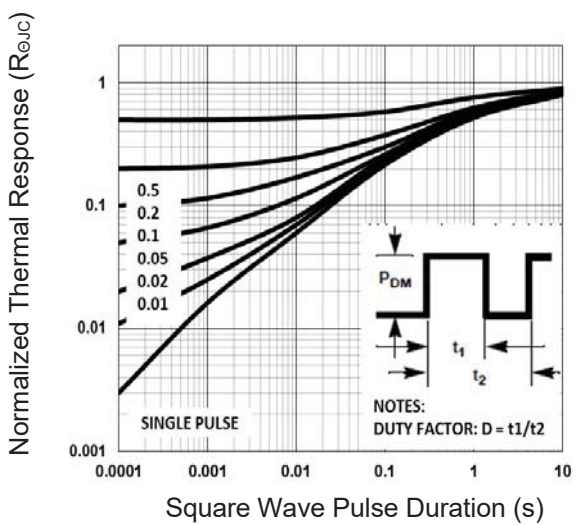


Fig.5 Normalized Transient Response

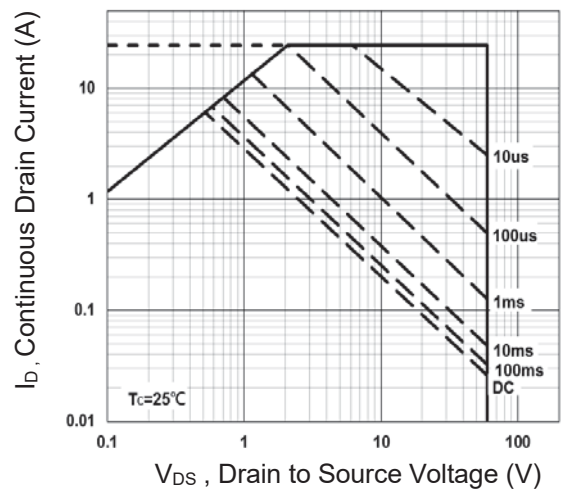


Fig.6 Maximum Safe Operation Area

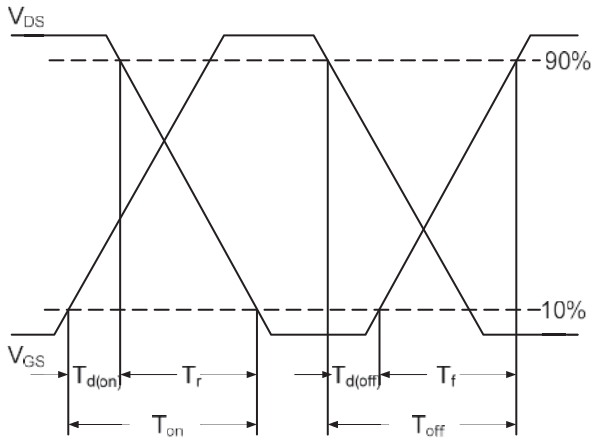


Fig.7 Switching Time Waveform

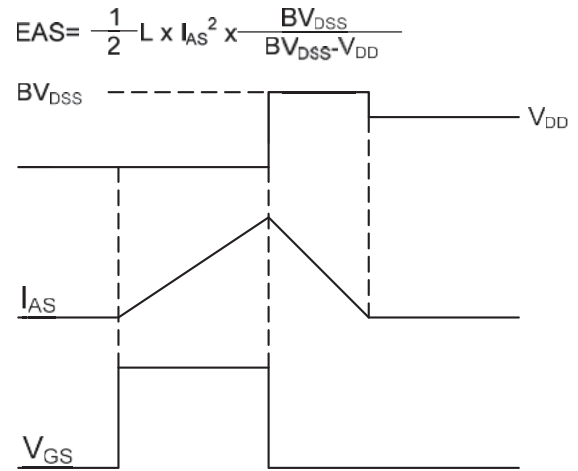
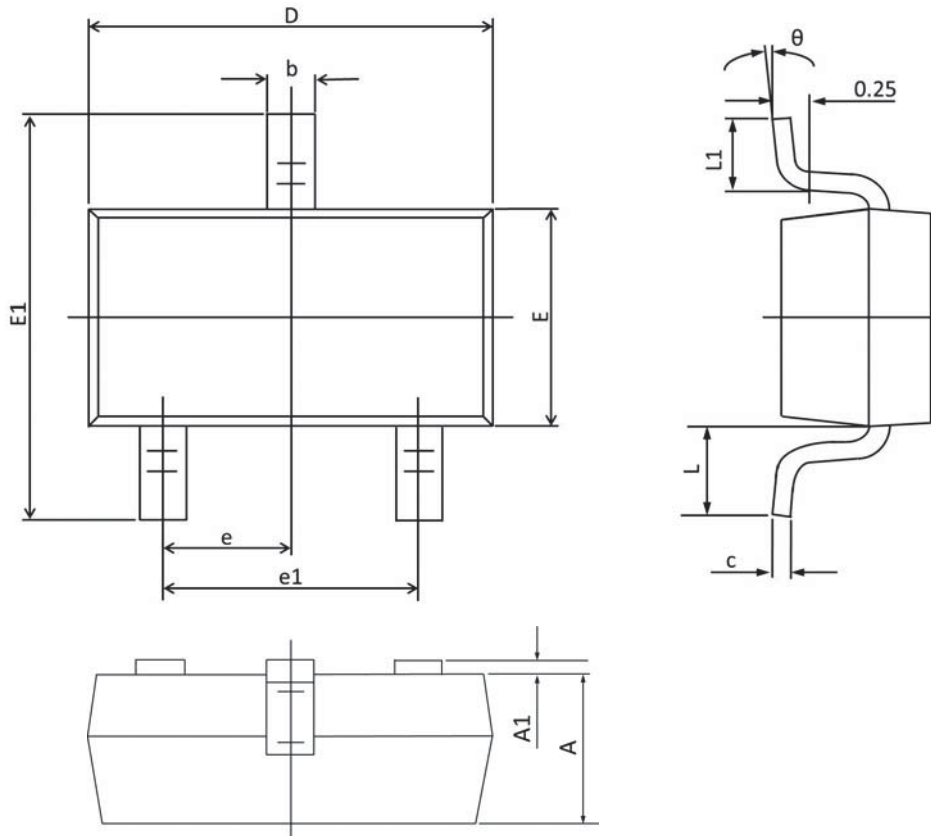


Fig.8 EAS Waveform

SOT23-3S PACKAGE INFORMATION


Symbol	Dimensions In		Dimensions In Inches	
	Min	Max	Min	Max
A	0.900	1.000	0.03	0.039
A1	0.000	0.100	0.00	0.004
b	0.300	0.500	0.012	0.020
c	0.090	0.110	0.003	0.004
D	2.800	3.000	0.110	0.118
E	1.200	1.400	0.047	0.055
E1	2.250	2.550	0.089	0.100
e	0.950 TYP.		0.037 TYP.	
e	1.800	2.000	0.071	0.079
L	0.550 REF.		0.022 REF.	
L1	0.300	0.500	0.012	0.020
θ	1°	7°	1°	7°